



Bike repair station

Trail bollard entrance

Backless Benches

Typical Trail Rest Area with leaning rail/bike rack and wheel chair accessible space beside bench.

Armour stone seating



Armour stone seating

Typical Trail Rest Area with leaning rail/bike rack and wheel chair accessible

Trail bollard entrance

Backless bench

Bike repair station

Orangeville Trail - Townline Trail Entrance

September 2024



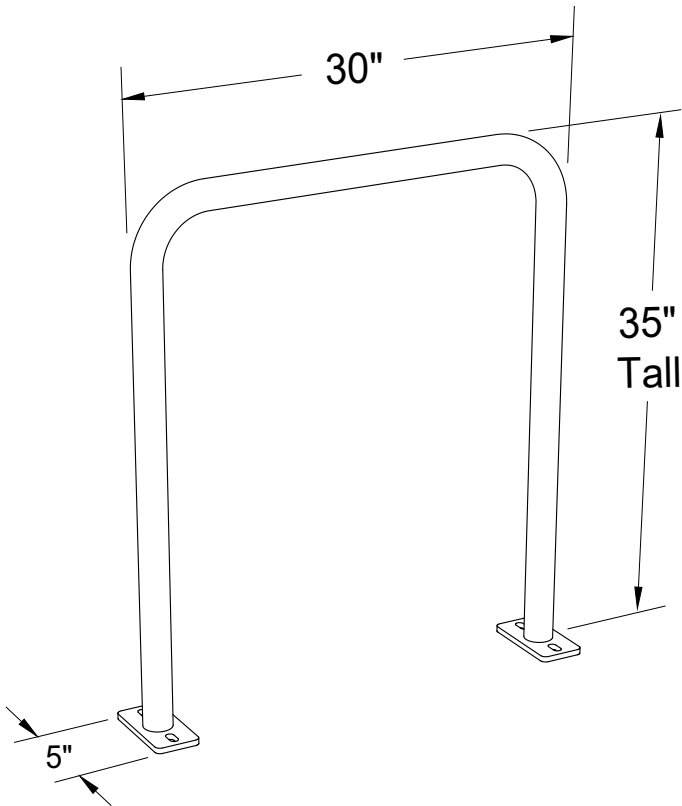
Squared Arch Bike Rack

Surface Mount Model (Shown): 850360

In-Ground Model: 850365

Size: 30" Wide x 5" Deep x 35" Tall

Capacity: 2 Bikes



Squared Arch Bike Rack

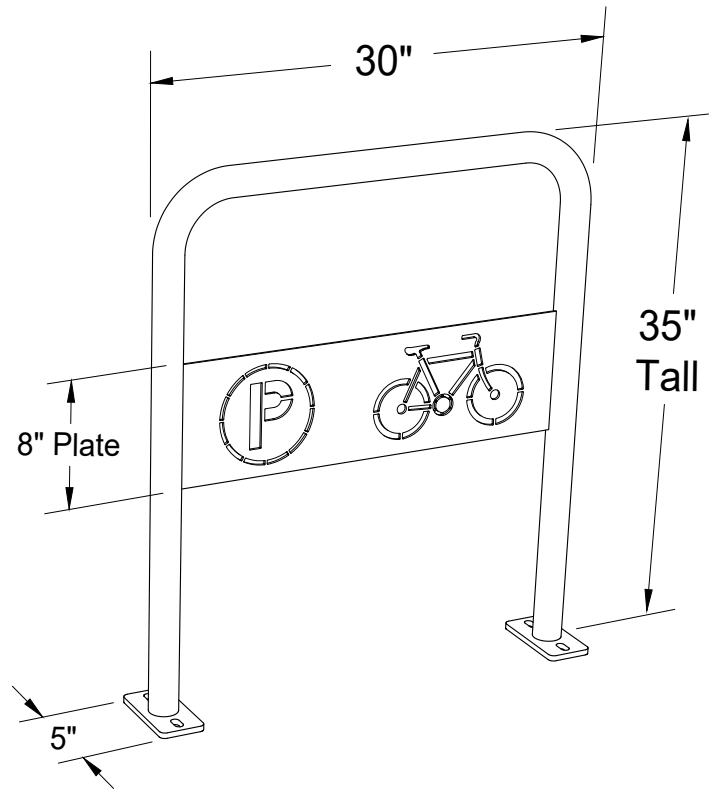
with Custom Logo Plate

Surface Mount Model (Shown): 850370

In-Ground Model: 850375

Size: 30" Wide x 5" Deep x 35" Tall

Capacity: 2 Bikes



Description:

The Squared Arch Bike Rack conveniently parks 2 bikes yet maintains a slim profile when not in use. Excellent security is provided by the heavy gauge round steel tubing.

Available in both Surface Mount and In-Ground/Embedded configurations.

Parks 2 bikes.

Description:

The Squared Arch Bike Rack conveniently parks 2 bikes yet maintains a slim profile when not in use. Excellent security is provided by the heavy gauge round steel tubing.

The Custom Logo Plate provides a location for advertising, identification or commemorative text. The plate can be provided with custom laser-cut graphics or as a blank plate suitable for applied vinyl graphics.

Available in both Surface Mount and In-Ground/Embedded configurations.

Parks 2 bikes.